

# PRODUCT DESCRIPTIONS



## HS-10 Exde Ex-Type Speaker

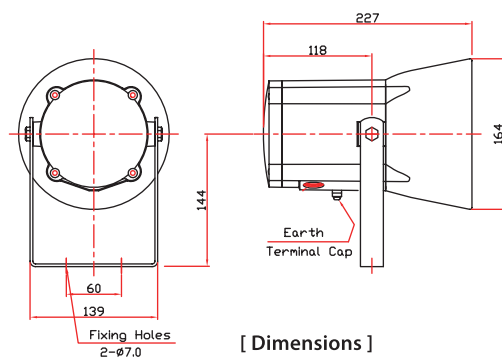
HS-10Exde Speaker, certified ATEX request standard 94/9/EC, EN60079-0,1,7(DNV ATEX Certified)

### GENERAL DESCRIPTION

HS-10 Exde Speaker is officially certified by satisfying the ATEX request standard 94/9/EC, EN60079-0, EN60079-1, and EN60079-7. This type of speakers can be mounted in the area that requires Group II, Zone 1 and 2, Gas class "B", and temperature class T6. The product employs the certified flameproof components and cable glands, yet using this product in Zone 0 is strongly discouraged. Speaker is designed to use in possibly hazardous locations (Outdoor type), i.e. the speaker prevents undesirable incidents which can be caused by gas, dust, explosion, etc. It has been developed for safety in hazardous circumstances. This speaker reduces the chance of fire or explosion by adopting a flameproof system that delivers no hazardous elements such as flames and sparks toward the outside of the speaker in a work environment where flammable gas, steam, or dust is present.

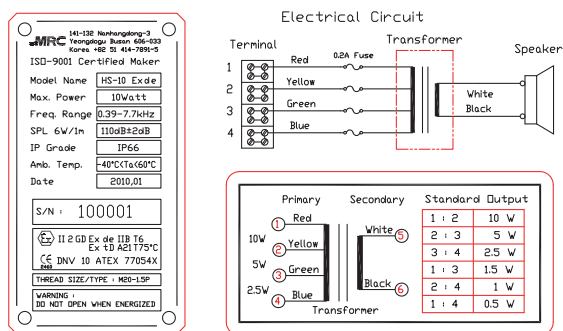


[ HS-10 Exde Speaker ]



[ Dimensions ]

### Schematics



### 1W/1m Sine Wave (Sweep) : Rx Yokogawa 3604

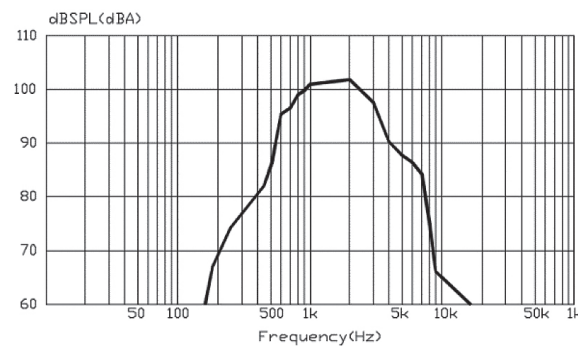


Figure 2

Power Max.	10W
SPL 1W/1m	101dB ± 2dB
SPL 6W/1m	110dB ± 2dB
Effective Freq.	390Hz ~ 7.7KHz
HS-10Exde-1	M20 EExe 1-Gland
HS-10Exde-2	M20 EExe 2-Gland

Figure 1

Material / Color	Aluminium / Dark Blue
Mounting	2-1Ø(60mm) Screws
Terminal Block	ATEX 3247U/275V 28A
Weight	3.4Kg
Ex/IP Grade	Ex de IIB T6, IP66
Ambient Temp.	60°C / -50°C

# PRODUCT DESCRIPTIONS



## HS-30 Exde Ex-Type Speaker

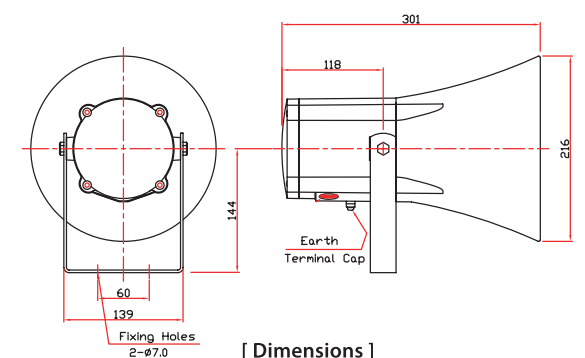
HS-30Exde Speaker, certified ATEX request standard 94/9/EC, EN60079-0,1,7 (DNV ATEX Certified)

### GENERAL DESCRIPTION

HS-30 Exde Speaker is officially certified by satisfying the ATEX request standard 94/9/EC, EN60079-0, EN60079-1, and EN60079-7. This speaker can be mounted in the area that requires Group II, Zone 1 and 2, Gas class "B", and temperature class T6. The speaker employs the certified flameproof components and cable glands, yet using this product in Zone 0 is strongly discouraged. This speaker is designed to use in possibly hazardous locations (Outdoor type), i.e. the speaker prevents undesirable incidents which can be caused by gas, dust, explosion, etc. It has been developed for safety in hazardous circumstances. This speaker reduces the chance of fire or explosion by adopting a flameproof system that delivers no hazardous elements such as flames and sparks toward the outside of the speaker in a work environment where flammable gas, steam, or dust is present.

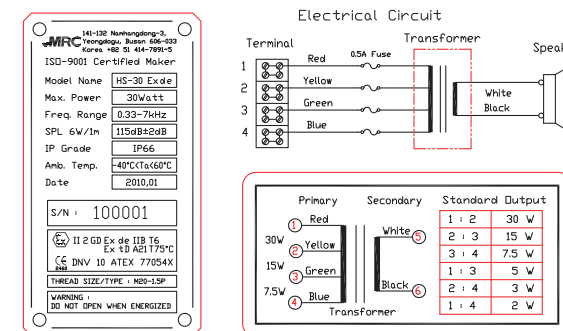


[ HS-30 Exde Speaker ]



[ Dimensions ]

### Schematics



### 1W/1m Sine Wave (Sweep) : Rx Yokogawa 3604

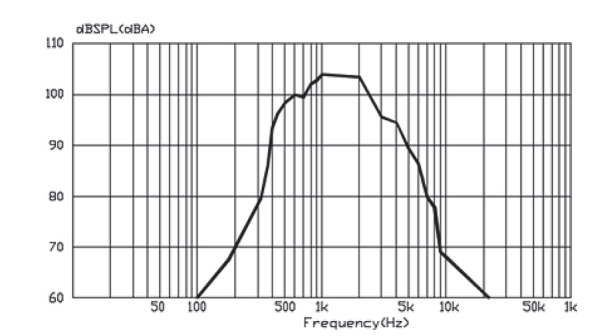


Figure 2

Power Max.	30W
SPL 1W/1m	104dB ± 2dB
SPL 6W/1m	115dB ± 2dB
Effective Freq.	330Hz ~ 7KHz
HS-10Exde-1	M20 EExe 1-Gland
HS-10Exde-2	M20 EExe 2-Gland

Figure 1

Material / Color	Aluminium / Dark Blue
Mounting	2-1Ø(60mm) Screws
Terminal Block	ATEX 3247U/275V 28A
Weight	4.5Kg
Ex/IP Grade	Ex de IIB T6, IP66
Ambient Temp.	60°C / -50°C